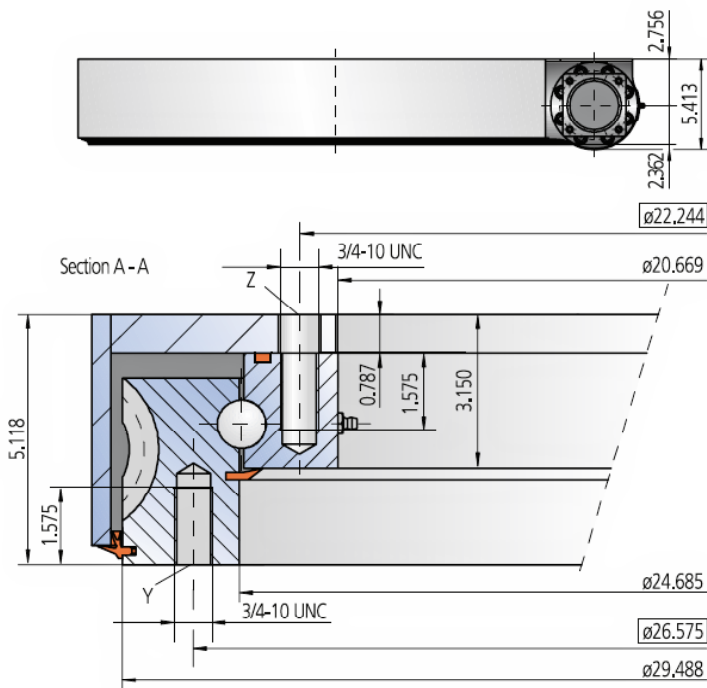
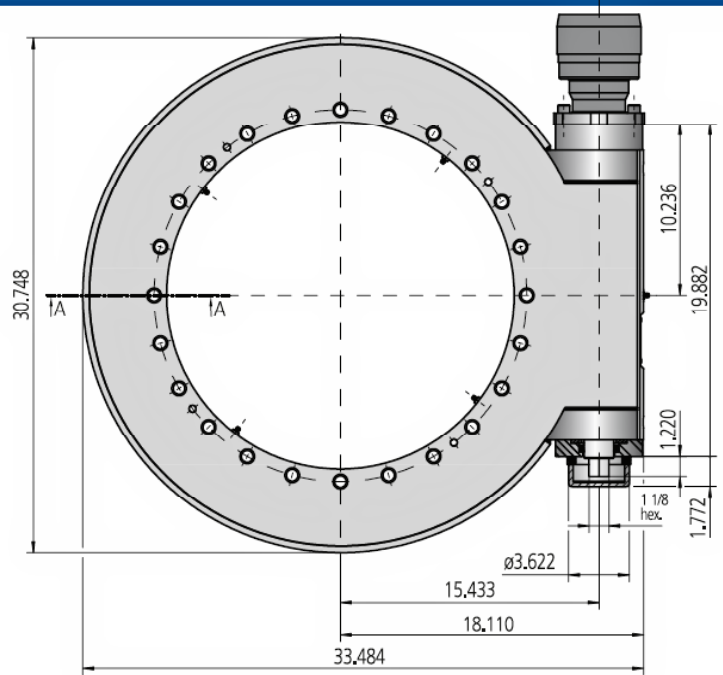


# Size 0625 / single row



Note, mounting face against upper surface shall be within the limits of  $\varnothing 24.606$  and  $\varnothing 29.882$



### Mounting holes

**Y** = 24 Holes 3/4-10 UNC - 1.575 deep, equally spaced

**Z** = 24 Holes  $\varnothing 0.866$ , 0.787 deep / 3/4-10 UNC - 1.575 deep, equally spaced

### Lubrication ports

4 Taper type grease nipples on the internal diameter

1 Taper type grease nipples on the outside of the housing

Slew Drive supplied pre-lubricated

## Limiting load diagram for 'compressive' load

Drawing reference number WD-LA 0625/3-06374			
Module	<b>m</b>	[mm]	7
Number of starts of the worm		[-]	1
Gear ratio	<b>i</b>	[-]	104
Self-locking gears			no**
Maximum torque $SF = 1$	<b>M<sub>d max</sub></b>	[ft-lbs]	31,585
Nom. torque $SF = 1$ at $n = 1$ rpm	<b>M<sub>d nom</sub></b>	[ft-lbs]	31,585
Maximum holding torque*	<b>M<sub>h</sub></b>	[ft-lbs]	31,585
Static load rating, radial	<b>C<sub>o rad</sub></b>	[lbs x 1,000]	198
Static load rating, axial	<b>C<sub>o ax</sub></b>	[lbs x 1,000]	531
Dynamic load rating, radial	<b>C<sub>rad</sub></b>	[lbs x 1,000]	62
Dynamic load rating, axial	<b>C<sub>ax</sub></b>	[lbs x 1,000]	73
Weight		[lbs]	552

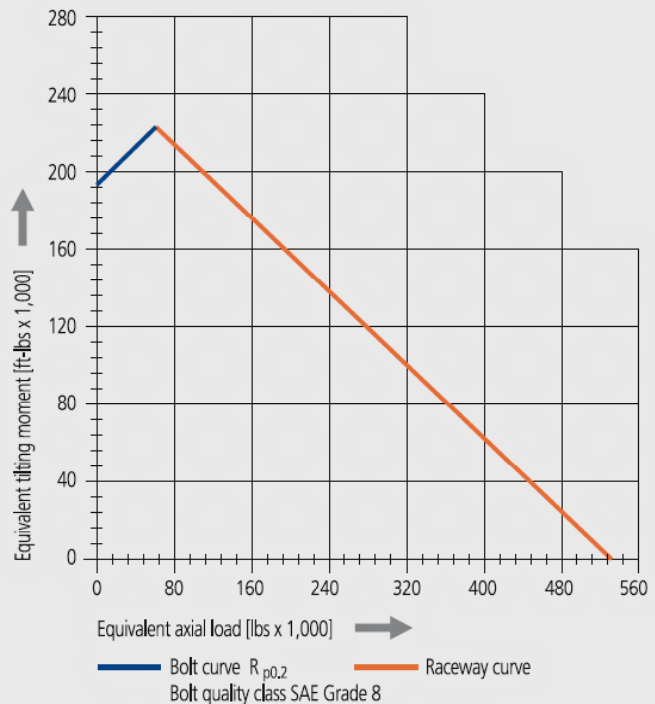
\*Optional with brake

\*\*Self-locking with mounted permanent brake or with mounted hydraulic motor and oil return stop

The selection of the hydraulic / electric motor depends on actual customer requirements and specifications.

Selection example: performance data with hydraulic motor RE-18

Pressure differential	$\Delta p$	[psi]	3,045
Oil flow	<b>Q</b>	[gal(US)/min]	10.57
Output speed	<b>n</b>	[rpm]	1
Maximum achievable torque	<b>M<sub>d</sub></b>	[ft-lbs]	31,585



Please adhere strictly to the Technical Information section when using above graph!