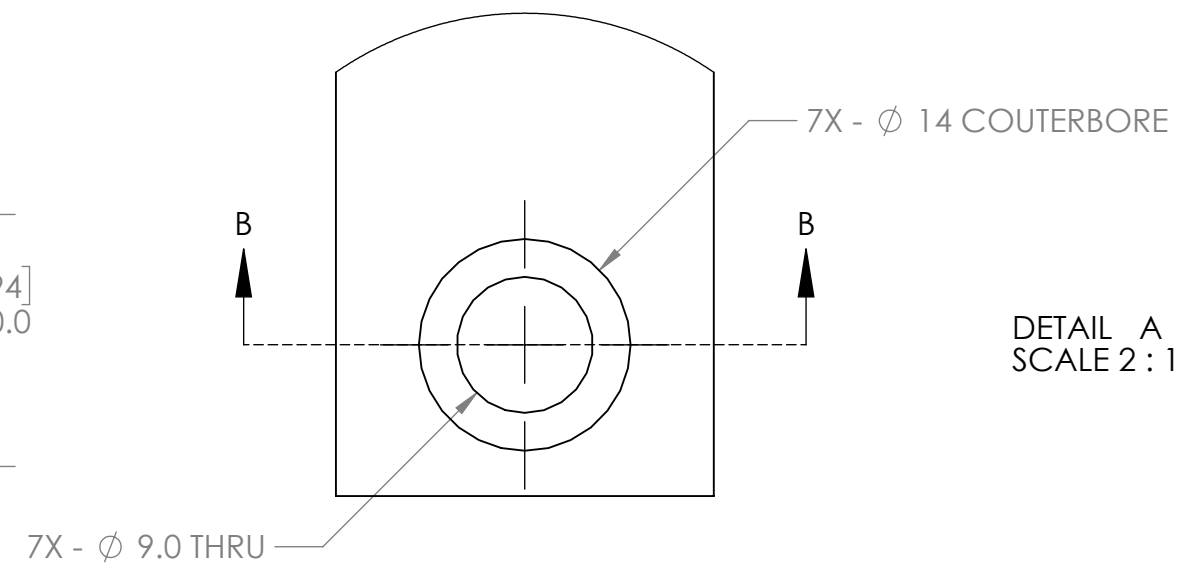
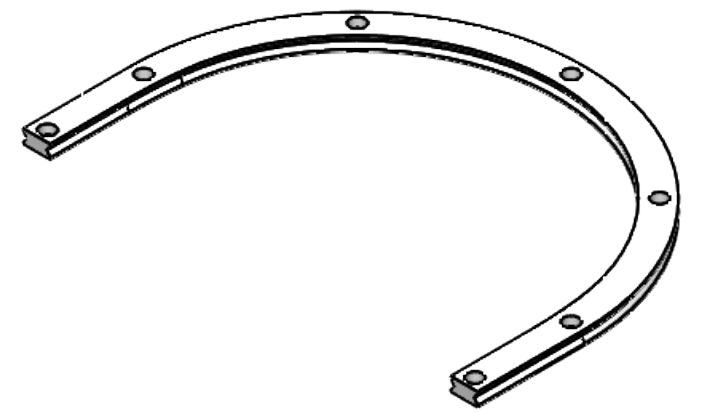
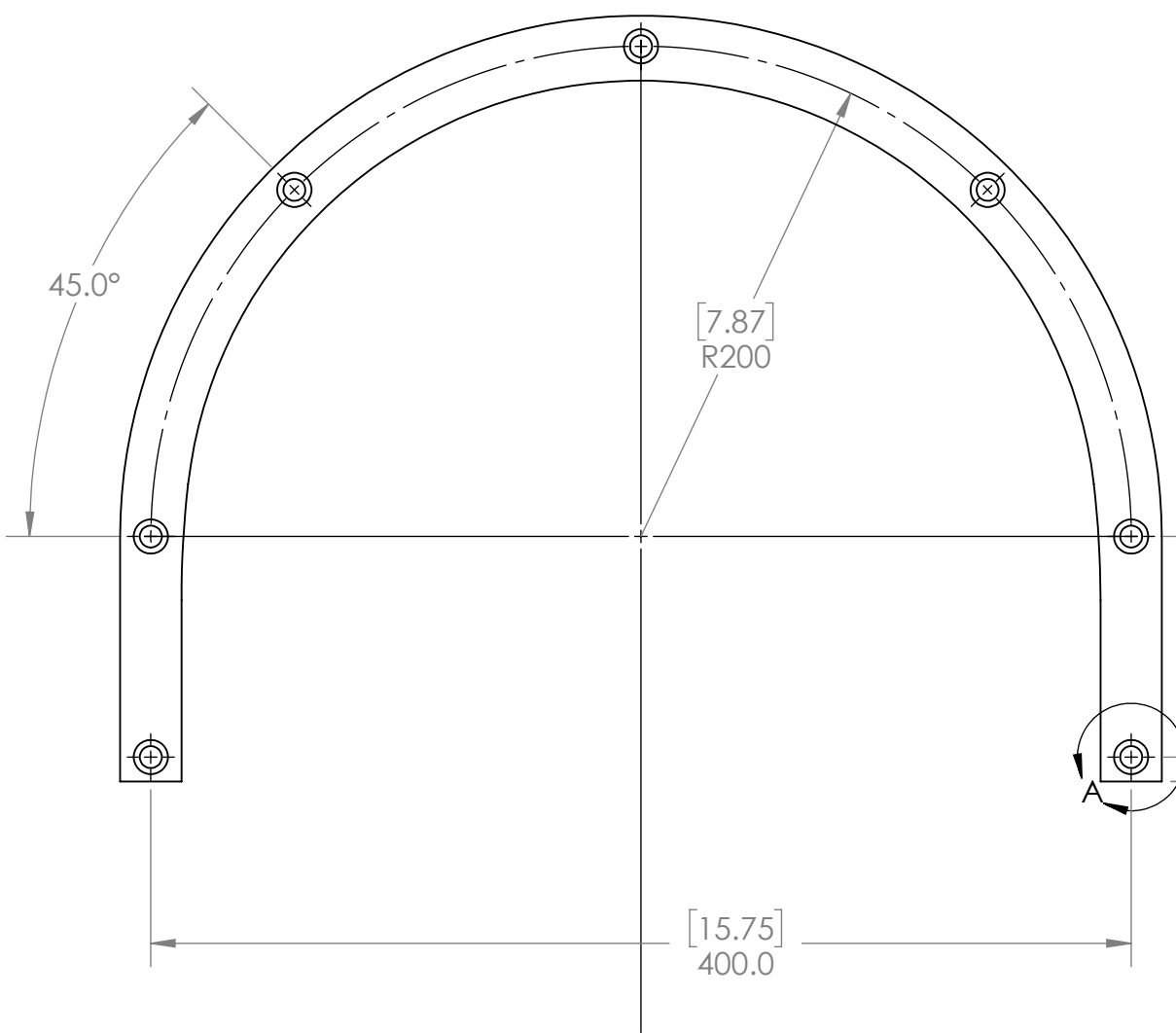
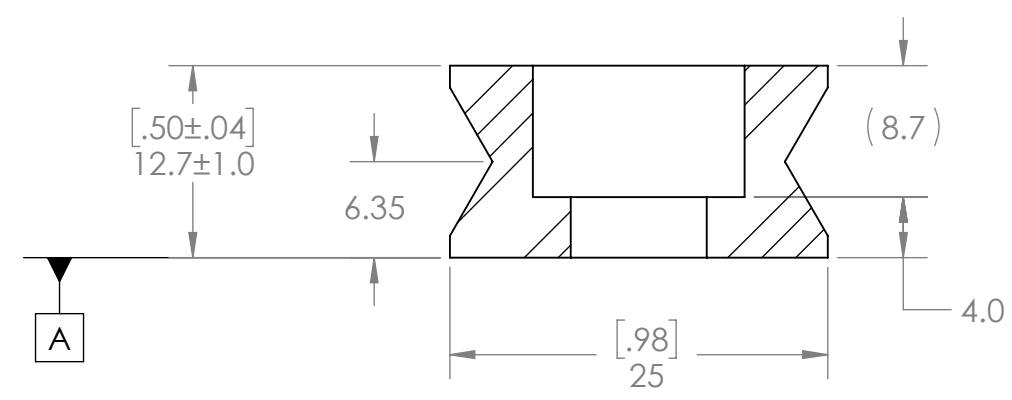
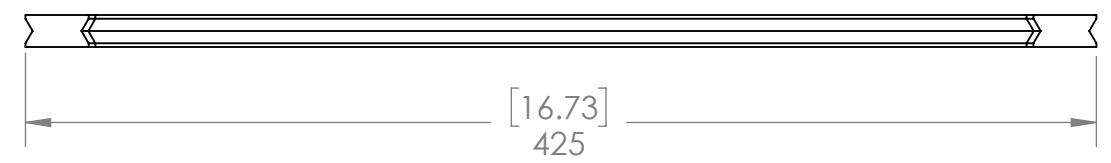


8 7 6 5 4 3 2 1

E  
D  
C  
B  
A



DETAIL A  
SCALE 2:1



SECTION B-B  
SCALE 2:1

UNLESS OTHERWISE SPECIFIED:			NAME	DATE	<b>TPA, FORT MILL SC</b>
DIMENSIONS ARE IN	MILLIMETERS	DRAWN	DC	6/9/2018	
TOLERANCES	INCHES	MM	APPROVED	DC	DESCRIPTION:
ANGULAR	±.5 DEG	±.5 DEG			<h1>CR40 Curved Rail</h1>
ONE PLACE DECIMAL	±.050"	±1.00mm			
TWO PLACE DECIMAL	±.010"	±.250mm			
THREE PLACE DECIMAL	±.005"	±.100mm			
INTERPRET GEOMETRIC TOLERANCING PER:			THIRD ANGLE PROJECTION		SIZE DWG. NO.
MATERIAL					<b>B</b> CR40-R200-A180-NB
FINISH			DO NOT SCALE DRAWING		REV
					SCALE: WEIGHT: SHEET 1 OF 1

**PROPRIETARY AND CONFIDENTIAL**  
 THE INFORMATION CONTAINED IN THIS DRAWING IS THE SOLE PROPERTY OF THE PRECISION ALLIANCE (TPA) LOCATED IN FORT MILL, SOUTH CAROLINA. ANY REPRODUCTION IN PART OR AS A WHOLE WITHOUT THE WRITTEN PERMISSION OF TPA IS PROHIBITED.

8 7 6 5 4 3 2 1