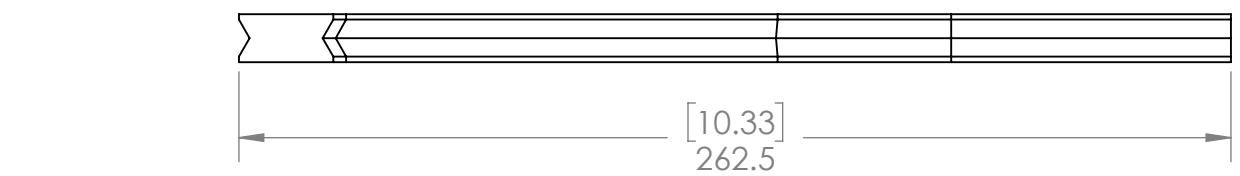
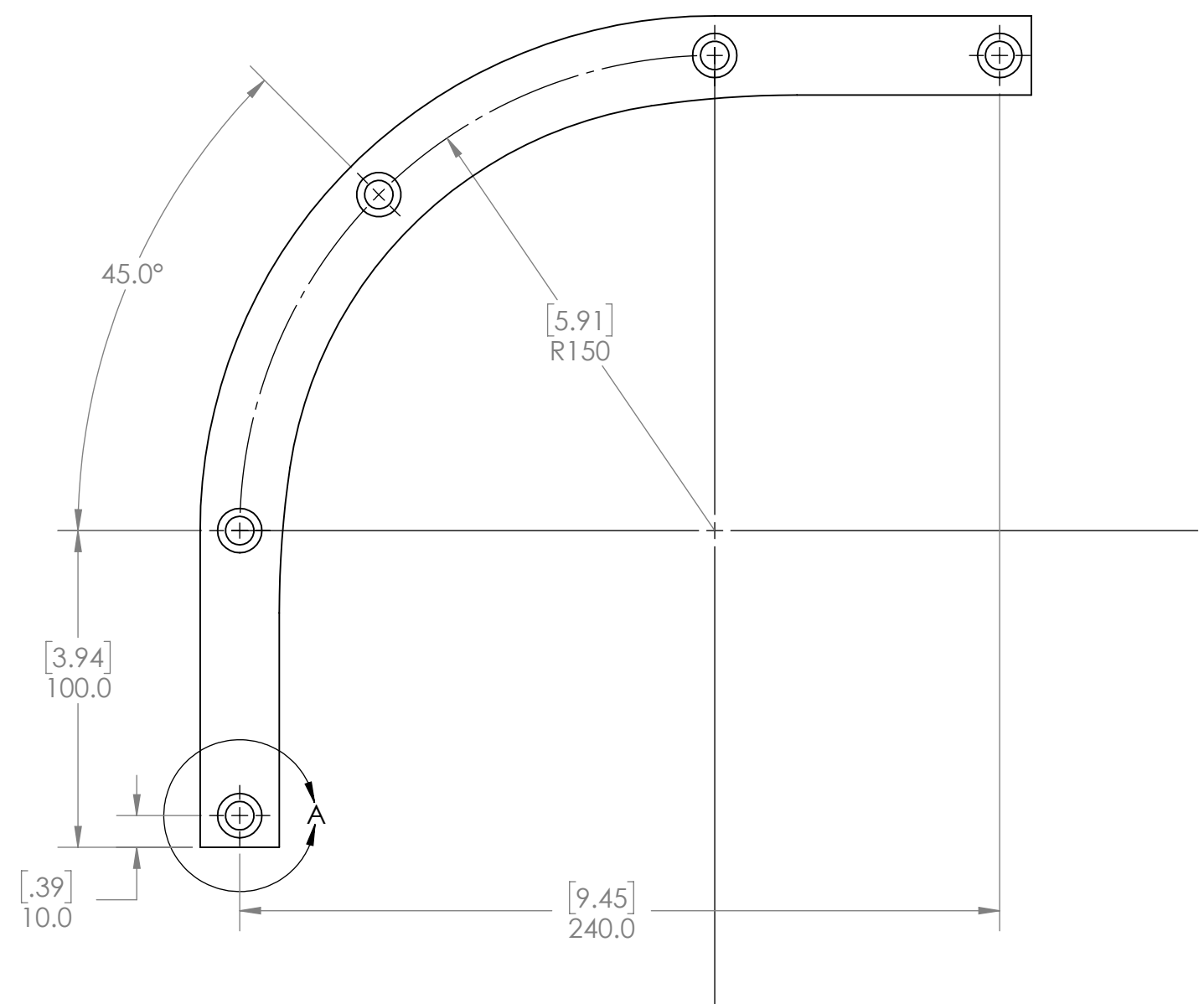
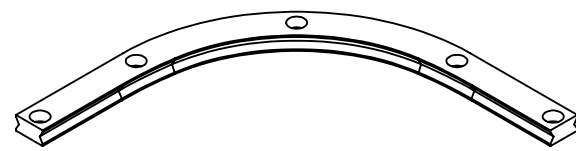


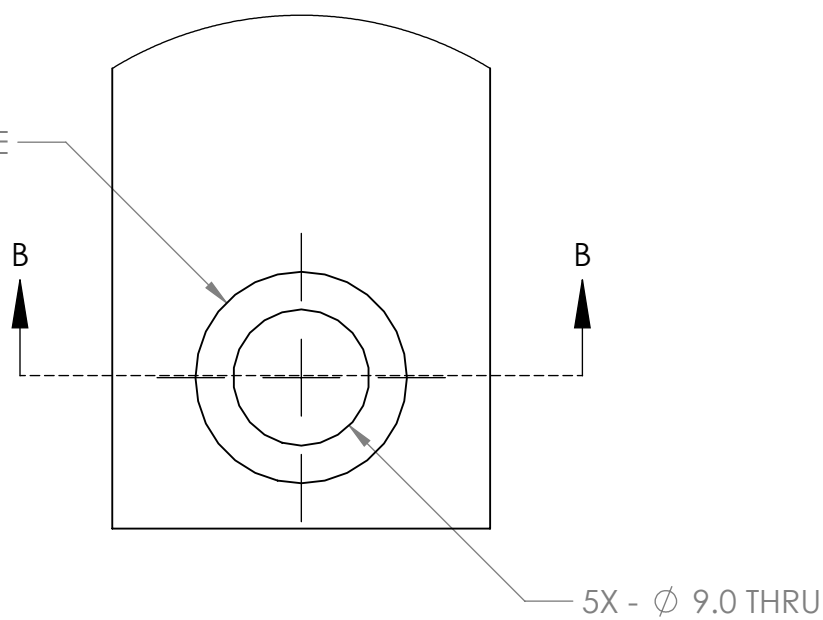
8 7 6 5 4 3 2 1

E
D
C
B
A



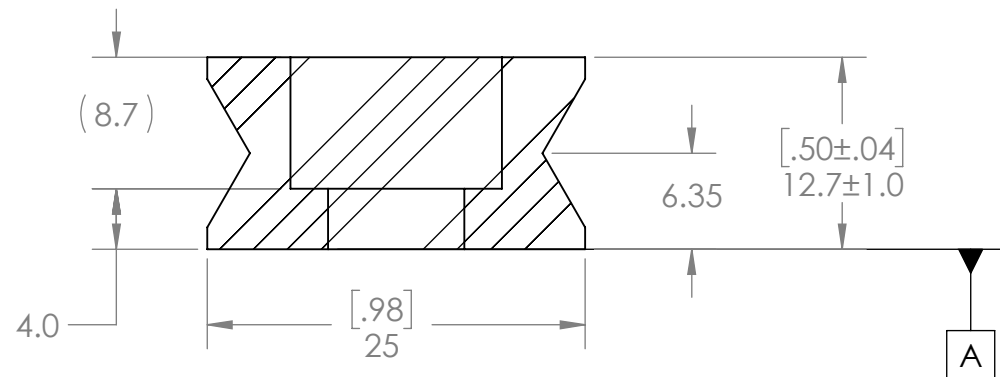
5X - ϕ 14 COUNTERBORE

DETAIL A
SCALE 2 : 1



5X - ϕ 9.0 THRU

SECTION B-B
SCALE 2 : 1



UNLESS OTHERWISE SPECIFIED:			NAME	DATE	TPA, FORT MILL SC
DIMENSIONS ARE IN MILLIMETERS			DRAWN	DC	
TOLERANCES			INCHES	MM	DESCRIPTION: <h2 style="text-align: center;">CR40 CURVED RAIL</h2>
ANGULAR			±.5 DEG	±.5 DEG	
ONE PLACE DECIMAL			±.050"	±1.00mm	
TWO PLACE DECIMAL			±.010"	±.250mm	
THREE PLACE DECIMAL			±.005"	±.100mm	
INTERPRET GEOMETRIC TOLERANCING PER:					
MATERIAL			THIRD ANGLE PROJECTION		SIZE DWG. NO.
FINISH					REV
DO NOT SCALE DRAWING					SCALE: WEIGHT: SHEET 1 OF 1

PROPRIETARY AND CONFIDENTIAL
 THE INFORMATION CONTAINED IN THIS DRAWING IS THE SOLE PROPERTY OF THE PRECISION ALLIANCE (TPA) LOCATED IN FORT MILL, SOUTH CAROLINA. ANY REPRODUCTION IN PART OR AS A WHOLE WITHOUT THE WRITTEN PERMISSION OF TPA IS PROHIBITED.

8 7 6 5 4 3 2 1