

8 7 6 5 4 3 2 1

E

D

C

B

A

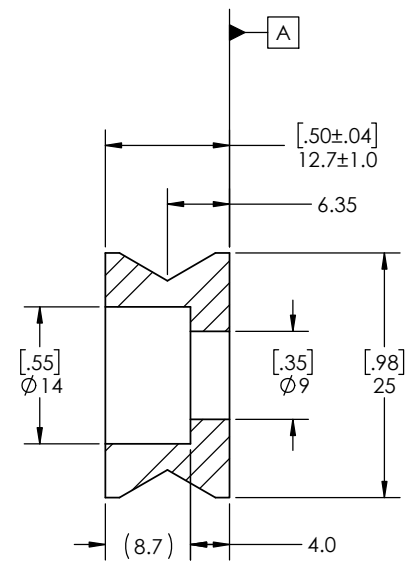
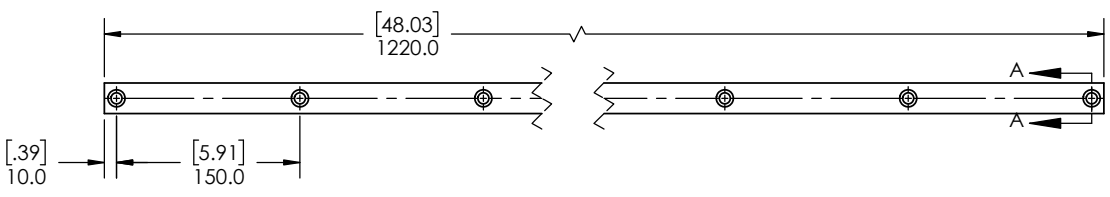
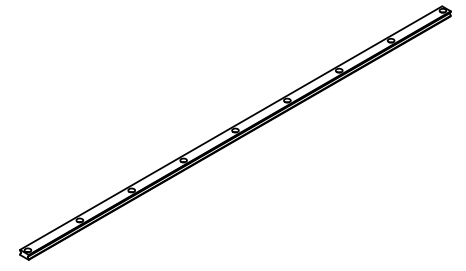
E

D

C

B

A



SECTION A-A  
SCALE 2 : 1

NOTE: Holes designed to accept m8 SHCS or 5/16-18 UNC Screw

**PROPRIETARY AND CONFIDENTIAL**  
THE INFORMATION CONTAINED IN THIS DRAWING IS THE SOLE PROPERTY OF THE PRECISION ALLIANCE (TPA) LOCATED IN FORT MILL, SOUTH CAROLINA. ANY REPRODUCTION IN PART OR AS A WHOLE WITHOUT THE WRITTEN PERMISSION OF TPA IS PROHIBITED.

UNLESS OTHERWISE SPECIFIED:		NAME	DATE
DIMENSIONS ARE IN <b>MILLIMETERS</b>		DRAWN	DC 9/7/2018
TOLERANCES		APPROVED	DC 5/9/2018
ANGULAR	INCHES ±.5 DEG		
	MM ±.5 DEG		
ONE PLACE DECIMAL	±.050"		
TWO PLACE DECIMAL	±.010"		
THREE PLACE DECIMAL	±.005"		
	±1.00mm		
	±.250mm		
	±.100mm		
INTERPRET GEOMETRIC TOLERANCING PER:		THIRD ANGLE PROJECTION	
MATERIAL			
FINISH			
DO NOT SCALE DRAWING			

**TPA, FORT MILL SC**

DESCRIPTION:  
**CR40 Straight Rail**

SIZE | DWG. NO. | REV  
**B** | CR40-L1220-NB |

SCALE: | WEIGHT: | SHEET 1 OF 1

8 7 6 5 4 3 2 1